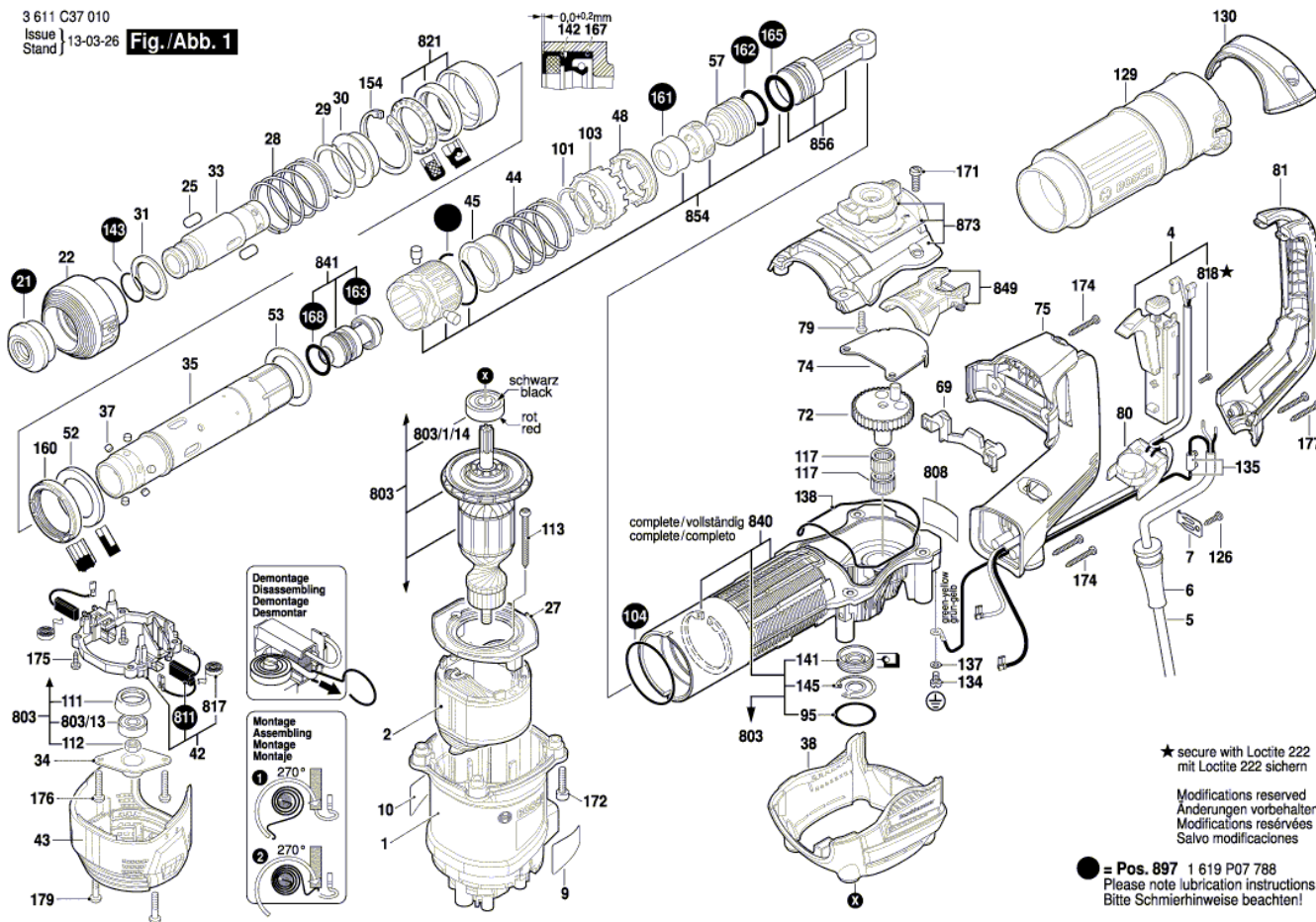
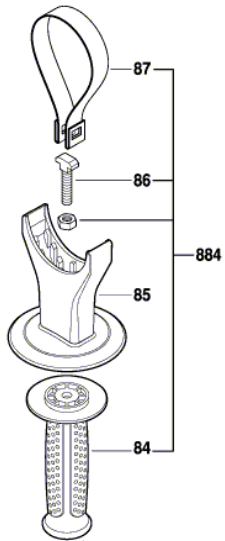




3 611 C37 010
Issue | 13-03-26
Stand |

Fig./Abb. 1



3 611 C37 010
Issue }
Stand } 13-03-26**Fig./Abb. 2**

661

Änderungen vorbehalten
Modifications reserved
Modifications réservées
Salvo modificaciones



Pos.	Part Number	Description	Pos.	Part Number	Description
1	1 619 P07 704		154	1 619 P07 801	
2	1 619 P05 390		160	1 619 P07 806	
4	1 619 P07 811		161	1 619 P07 817	
5	1 614 461 034	Power supply cord	162	1 610 210 091	O-Ring
6	1 619 P07 722		163	1 610 290 065	Seal ring
7	1 601 302 019	Fastening Clamp	165	1 610 210 153	O-Ring
9	1 619 P10 203		168	1 610 210 144	O-Ring
10	1 619 P07 207		171	1 619 P07 816	
21	1 619 P07 829		172	1 613 435 013	Torx Oval-Head Screw
22	1 619 P07 724		174	1 613 435 012	Torx Oval-Head Screw
25	1 619 P07 742		175	2 912 401 018	Tapping Screw
27	1 619 P07 739		176	1 613 435 012	Torx Oval-Head Screw
28	1 614 621 000	Compression Spring	177	1 619 P07 821	
29	1 619 P10 522		179	1 619 P07 815	
30	1 619 P07 715		661	1 615 430 010	Grease Tube
31	1 619 P07 743		803	1 619 P10 292	
33	1 619 P07 748		803/1/14	1 610 905 028	Deep-Groove Ball Bearing
34	1 610 516 013	Flange	803/13	1 610 900 026	Deep-Groove Ball Bearing
35	1 619 P07 734		808	1 619 P10 205	
37	1 619 P07 749		811	1 619 P10 158	
38	1 619 P07 710		817	1 614 652 004	Spiral Spring
42	1 619 P07 785		818	2 910 011 082	Socket head cap screw
43	1 619 P07 711		821	1 619 P07 768	
44	1 619 P07 755		840	1 619 P10 293	
45	1 619 P07 756		841	1 619 P07 839	
48	1 619 P07 780		849	1 619 P07 798	
52	1 619 P07 738		854	1 619 P07 773	
53	1 619 P07 792		856	1 619 P07 775	
57	1 619 P07 762		873	1 619 P07 799	
69	1 610 099 004	Retaining Bracket	884	1 619 P07 778	
72	1 619 P07 723		897	1 619 P10 242	
74	1 619 P07 772				
75	1 619 P07 707				
79	1 613 435 015	Torx Oval-Head Screw			
80	1 619 P09 650				
81	1 619 P07 709				
84	1 612 025 060	Auxiliary Handle			
85	1 619 P07 774				
86	1 613 490 002	T-Head Bolt			
87	1 619 P07 776				
95	1 610 210 173	O-Ring			
101	1 610 224 009	Retaining ring			
103	1 619 P07 781				
104	1 619 P07 740				
111	1 610 290 064	Bushing			
112	1 613 300 008	Hex Nut			
113	1 613 435 009	Tapping Screw			
117	1 619 P07 713				
126	2 910 211 019	Tapping Screw			
129	1 619 P07 795				
130	1 619 P07 796				
134	2 910 110 116	Pan head screw			
135	1 619 P09 774				
137	1 610 151 007	Spring Lock Washer			
138	1 619 P07 797				
141	1 610 290 066	Rotary shaft lip seal			
143	1 614 601 021	Retaining ring			
145	1 610 119 012	Spring retaining ring			